

Type of newsletter: **STATUTORY NEWSLETTER, SOLAS, Chapter II-1 – Construction – Structure, subdivision and stability, machinery and electrical installations, Part A-1 – Structure of Ships, Reg. II-1/3-8 – Towing and mooring equipment**

Number: **30.11.2023, revision 0**

APPLICATION:

Type of ships: **Ships engaged on international voyages and having GT ≥ 500**

Flag(s): **All flags**

IMO Res. MSC.474(102) – Amendments to the International Convention for the Safety of Life at Sea, 1974, as amended – Amendments to SOLAS Reg. II-1/3-8 - Towing and mooring equipment

To address the need to enhance safe mooring operations, amendments to SOLAS Reg. II-1/3-8 on towing and mooring equipment were adopted at the 102nd Maritime Safety Committee session by Res. **MSC.474(102)** and are to enter into force on **1st January 2024**.

Subject amendments address requirements for mooring arrangement, including lines, and also include an update to **MSC.1/Circ.1175, Rev.1 - REVISED GUIDANCE ON SHIPBOARD TOWING AND MOORING EQUIPMENT**, and the adoption of two new guidelines: **MSC.1/Circ.1619 - GUIDELINES ON THE DESIGN OF MOORING ARRANGEMENTS AND THE SELECTION OF APPROPRIATE MOORING EQUIPMENT AND FITTINGS FOR SAFE MOORING** and **MSC.1/Circ.1620 - GUIDELINES FOR INSPECTION AND MAINTENANCE OF MOORING EQUIPMENT INCLUDING LINES**.

Subject requirements apply to new and retroactively to existing ships, as follows:

Application

- i) These regulations apply only to new ships of 3,000 gross tonnage and above (SOLAS II-1/3-8, para. 7):
 - for which the building contract is placed on or after 1 January 2024,
 - in the absence of a building contract, the keel of which is laid, or which is at a similar stage of construction on or after 1 July 2024, or
 - the delivery of which is on or after 1 January 2027.For the above ships, compliance with MSC.1/Circ.1175/Rev.1 and MSC.1/Circ.1619 is required.
- ii) For new ships with a gross tonnage less than 3,000 gross tonnage (SOLAS II-1/3-8, para. 8) compliance with SOLAS II-1/3-8, para. 7, is to be to the extent reasonably practicable, or compliance with the national standards established by the flag Administration.
- iii) For ships constructed on or after 1 January 2007 compliance with SOLAS II-1/3-8, para. 4 to 6, and compliance with MSC.1/Circ.1175 is to be ensured as follows:
 - Ships shall be provided with arrangements, equipment, and fittings of sufficient safe working load to enable the safe conduct of all towing and mooring operations associated with the normal operation of the ship.
 - Arrangements, equipment, and fittings shall meet the appropriate requirements of the Administration, or an organization recognized by the Administration.
 - Each fitting or item of equipment shall be clearly marked with any limitations associated with its safe operation, considering the strength of the supporting ship's structure and its attachment to it.
- iv) All ships (SOLAS II-1/3-8, para. 9)
All ships (both new and (retroactively) existing ships), regarding inspection and maintenance of mooring equipment including lines, are subject to compliance with MSC.1/Circ.1620.

Requirements for new ships – ships constructed on or after 1 January 2024

- i) The design of mooring arrangements is to comply with MSC.1/Circ.1619, para. 5.1
- ii) Selection of the equipment, fittings and mooring lines is to comply with MSC.1/Circ.1619, para. 5.2, and is to take into account the Ship Design Minimum Breaking Load (MBLSD), brake capacity of the mooring winches, the Line Design Break Force (LDBF), the diameter (D) of surfaces of mooring fittings that are in contact with the mooring line in relation to the mooring line diameter d (D/d ratio), and load limits.
- iii) A “Towing and mooring plan” is to be developed and is to comply with section 5 of the annex to the Revised guidance on shipboard towing and mooring equipment (MSC.1/Circ.1175/Rev.1). This plan is to represent specific information regarding the towing and mooring fittings aboard the vessel, the mooring lines, as well as the arrangement of mooring lines and the acceptable environmental conditions for mooring.
- iv) At delivery of the vessel it is to be confirmed that “Towing and mooring plan” is provided on board.

Requirements for all ships (retroactive)

Starting from 1 January 2024 all ships are required to keep the management plans on board developed under provisions of MSC.1/Circ.1620 and which are to include:

- Procedures for safe use of mooring equipment
- Procedures for inspection and maintenance of mooring lines
- Procedure for selection of replacement mooring lines
- Procedure for updating of ship documents and record-keeping

Records of inspection and maintenance of mooring equipment and inspection and replacement of mooring lines should be retained on board. Such records should be kept for a period determined by the Company, but in any event, the records should be kept until the completion of the next annual survey.

Any change of mooring line configuration requires updating the towing and mooring arrangements plan.

For the existing ships, compliance with the above (management plan available on board) will be verified at the first periodical survey (annual, intermediate, or renewal survey) for Cargo Ship Safety Construction Certificate or Passenger Ship Safety Certificate on or after 1 January 2024.

For new ships, compliance with the above (management plan available on board) will be verified at the initial survey for Cargo Ship Safety Construction Certificate or Passenger Ship Safety Certificate on or after 1 January 2024.

While the approval of the management plan is not required by MSC.1/Circ.1620, the only verification required is through the onboard survey as stated above.

It is suggested that the above procedures be included in the existing Company’s SMS.

ATTACHMENTS:

1. MSC.474(102)
2. MSC.1/Circ.1175/Rev.1 - REVISED GUIDANCE ON SHIPBOARD TOWING AND MOORING EQUIPMENT
3. MSC.1/Circ.1619 - GUIDELINES ON THE DESIGN OF MOORING ARRANGEMENTS AND THE SELECTION OF APPROPRIATE MOORING EQUIPMENT AND FITTINGS FOR SAFE MOORING
4. MSC.1/Circ.1620 - GUIDELINES FOR INSPECTION AND MAINTENANCE OF MOORING EQUIPMENT INCLUDING LINES

RESOLUTION MSC.474(102)
(adopted on 11 November 2020)

**AMENDMENTS TO THE INTERNATIONAL CONVENTION FOR THE SAFETY
OF LIFE AT SEA, 1974**

THE MARITIME SAFETY COMMITTEE,

RECALLING Article 28(b) of the Convention on the International Maritime Organization concerning the functions of the Committee,

RECALLING ALSO article VIII(b) of the International Convention for the Safety of Life at Sea, 1974 ("the Convention"), concerning the amendment procedure applicable to the annex to the Convention other than to the provisions of chapter I,

HAVING CONSIDERED, at its 102nd session, amendments to the Convention proposed and circulated in accordance with article VIII(b)(i) of the Convention,

1 ADOPTS, in accordance with article VIII(b)(iv) of the Convention, amendments to the Convention the text of which is set out in the annex to the present resolution;

2 DETERMINES, in accordance with article VIII(b)(vi)(2)(bb) of the Convention, that the said amendments shall be deemed to have been accepted on 1 July 2023, unless, prior to that date, more than one third of the Contracting Governments to the Convention or Contracting Governments the combined merchant fleets of which constitute not less than 50% of the gross tonnage of the world's merchant fleet have notified the Secretary-General of their objections to the amendments;

3 INVITES Contracting Governments to the Convention to note that, in accordance with article VIII(b)(vii)(2) of the Convention, the amendments shall enter into force on 1 January 2024 upon their acceptance in accordance with paragraph 2 above;

4 REQUESTS the Secretary-General, for the purposes of article VIII(b)(v) of the Convention, to transmit certified copies of the present resolution and the text of the amendments contained in the annex to all Contracting Governments to the Convention;

5 REQUESTS ALSO the Secretary-General to transmit copies of this resolution and its annex to Members of the Organization which are not Contracting Governments to the Convention.

ANNEX

**AMENDMENTS TO THE INTERNATIONAL CONVENTION FOR
THE SAFETY OF LIFE AT SEA, 1974**

**CHAPTER II-1
CONSTRUCTION – STRUCTURE, SUBDIVISION AND STABILITY, MACHINERY
AND ELECTRICAL INSTALLATIONS**

**Part A
General**

Regulation 1 – Application

1 The existing paragraph 1.3 is replaced by the following:

"1.3 For the purpose of this chapter:

- .1 the expression *ships constructed* means ships the keels of which are laid or which are at a similar stage of construction;
- .2 the expression *ships constructed on or after 1 January 2024* means ships:
 - .1 for which the building contract is placed on or after 1 January 2024; or
 - .2 in the absence of a building contract, the keel of which is laid or which are at a similar stage of construction on or after 1 July 2024; or
 - .3 the delivery of which is on or after 1 January 2028.
- .3 the expression *all ships* means ships constructed before, on or after 1 January 2009;
- .4 a cargo ship, whenever built, which is converted to a passenger ship shall be treated as a passenger ship constructed on the date on which such a conversion commences."

**Part A-1
Structure of ships**

Regulation II-1/3-8 – Towing and mooring equipment

2 Regulation 3-8 is replaced by the following:

"1 Paragraphs 4 to 6 of this regulation apply to ships constructed on or after 1 January 2007.

2 Paragraphs 7 and 8 of this regulation only apply to ships:

- .1 for which the building contract is placed on or after 1 January 2024;
or

- .2 in the absence of a building contract, the keel of which is laid or which is at a similar stage of construction on or after 1 July 2024; or
- .3 the delivery of which is on or after 1 January 2027.

3 This regulation does not apply to towing arrangements provided in accordance with regulation 3-4.

4 Ships shall be provided with arrangements, equipment and fittings of sufficient safe working load to enable the safe conduct of all towing and mooring operations associated with the normal operation of the ship.

5 Arrangements, equipment and fittings provided in accordance with paragraph 4 above shall meet the appropriate requirements of the Administration or an organization recognized by the Administration under regulation I/6.

6 Each fitting or item of equipment provided under this regulation shall be clearly marked with any limitations associated with its safe operation, taking into account the strength of the supporting ship's structure and its attachment to it.

7 For ships of 3,000 gross tonnage and above, the mooring arrangement shall be designed, and the mooring equipment including lines shall be selected, in order to ensure occupational safety and safe mooring of the ship, based on the guidelines developed by the Organization. Ship-specific information shall be provided and kept on board.

8 Ships of less than 3,000 gross tonnage should comply with the requirement in paragraph 7 above as far as reasonably practicable, or with applicable national standards of the Administration.

9 For all ships, mooring equipment, including lines, shall be inspected and maintained in a suitable condition for their intended purposes.

Part B-1 Stability

Regulation 7-2 – Calculation of the factor s_i

3 Paragraphs 5.2, 5.3 and 5.5 are replaced by the following:

"5.2 The factor s_i is to be taken as zero in those cases where the final waterline, taking into account sinkage, heel and trim, immerses:

- .1 for cargo ships, the lower edge of openings through which progressive flooding may take place and such flooding is not accounted for in the calculation of factor s_i . Such openings shall include air pipes, ventilators and openings which are closed by means of weathertight doors or hatch covers;
- .2 any part of the bulkhead deck in passenger ships considered a horizontal evacuation route for compliance with chapter II-2; and
- .3 for passenger ships subject to the provisions of regulation 1.1.1.1 and constructed before 1 January 2024, the lower edge of openings through which progressive flooding may take place and such flooding is not accounted for in the calculation of factor s_i . Such

4 ALBERT EMBANKMENT
LONDON SE1 7SR
Telephone: +44 (0)20 7735 7611 Fax: +44 (0)20 7587 3210

MSC.1/Circ.1175/Rev.1*
9 December 2020

REVISED GUIDANCE ON SHIPBOARD TOWING AND MOORING EQUIPMENT

1 The Maritime Safety Committee, at its eightieth session (11 to 20 May 2005), approved guidance concerning shipboard equipment, fittings and supporting hull structures associated with towing and mooring for the uniform implementation of SOLAS regulation II-1/3-8, adopted by resolution MSC.194(80), which became effective on 1 January 2007.

2 The Committee, at its 102nd session (4 to 11 November 2020), having considered a proposal by the Sub-Committee on Ship Design and Construction, at its sixth session, with a view to ensuring a uniform approach towards the application of the provisions of SOLAS regulation II-1/3-8, as amended by resolution MSC.474(102), which is expected to become effective on 1 January 2024, approved the *Revised guidance on shipboard towing and mooring equipment*, as set out in the annex.

3 This revised guidance is applicable to ships constructed on or after 1 January 2024 and does not supersede the *Guidance on shipboard towing and mooring equipment* (MSC.1/Circ.1175) which remains applicable to ships constructed on or after 1 January 2007 but before 1 January 2024.

4 Member Governments are invited to use the annexed guidance when applying the revised SOLAS regulation II-1/3-8, and to bring it to the attention of all parties concerned.

* Re-issued to refer to the correct resolution MSC.474(102) in paragraph 2 of the cover sheet.

ANNEX

SHIPBOARD EQUIPMENT, FITTINGS AND SUPPORTING HULL STRUCTURES ASSOCIATED WITH TOWING AND MOORING

1 Application

1.1 Under regulation II-1/3-8 of the 1974 SOLAS Convention, as adopted by resolution MSC.473(102), new displacement type ships, except high-speed craft and offshore units, shall be provided with arrangements, equipment and fittings of sufficient safe working load to enable the safe conduct of all towing and mooring operations associated with the normal operations of the ship. The arrangements, equipment and fittings shall meet the appropriate requirements of the Administration or an organization recognized by the Administration.

1.2 The *Revised guidance on shipboard towing and mooring equipment* (MSC.1/Circ.1175/Rev.1) should apply to ships constructed on or after 1 January 2024. To ships constructed on or after 1 January 2007 and before 1 January 2024, the *Guidance on shipboard towing and mooring equipment* (MSC.1/Circ.1175) should apply.

1.3 This circular provides standards for the design and construction of shipboard fittings and supporting hull structures associated with normal towing and mooring operations in harbours or sheltered waters, which Administrations are recommended to implement. This circular also contains design guidance for fittings of ships that are further intended to be towed by another ship or tug, e.g. in an emergency. This circular does not require tow lines nor mandate standards for mooring lines on board the ship. Furthermore, this guidance is not applicable to the design and construction of shipboard fittings and supporting hull structures used for special towing services defined as:

- .1 *Escort towing*: Towing service required in some estuaries to control the ship in case of failures of the propulsion or steering system. It should be referred to local escort requirements;
- .2 *Canal transit towing*: Towing service for ships transiting canals, e.g. the Panama Canal. It should be referred to local canal transit requirements; and
- .3 *Emergency towing for tankers*: Towing service to assist tankers in case of emergency. It should be referred to paragraph 1 of SOLAS regulation II-1/3-4.

1.4 Equipment that is used for both towing and mooring should be in accordance with sections 3 and 4.

2 Definitions

For the purpose of this guidance:

2.1 *Normal towing* means towing operations necessary for manoeuvring in ports and sheltered waters associated with the normal operations of the ship.

2.2 *Other towing* means towing by another ship or a tug, such as to assist the ship in case of emergency.

2.3 *Shipboard fittings* mean bollards and bitts, fairleads, pedestal rollers and chocks used for mooring of the ship and similar components used for normal or other towing of the ship. Any weld, bolt or other fastening connecting the shipboard fitting to the supporting hull structure is part of the shipboard fitting and subject to any industry standard applicable to such fitting.

2.4 *Supporting hull structure* means that part of the ship structure on/in which the shipboard fitting is placed and which is directly submitted to the forces exerted on the shipboard fitting. The hull structure supporting capstans, winches, etc. used for normal or other towing and mooring operations mentioned above should also be subject to this guidance.

2.5 *Industry standard* means international or national standards which are recognized in the country where the ship is built, subject to the approval of the Administration.

2.6 *Safe working load (SWL)* means the safe load limit of shipboard fittings used for mooring operations in harbours or similar sheltered waters.

2.7 *Safe towing load (TOW)* means the safe load limit of shipboard fittings used for normal and other towing.

2.8 *Ship Design Minimum Breaking Load (MBL_{SD})* means the minimum breaking load of new, dry mooring lines for which shipboard fittings and supporting hull structures are designed in order to meet mooring restraint requirements.

3 Towing

3.1 Strength

The strength of shipboard fittings used for normal towing operations and their supporting hull structures should comply with the provisions of 3.2 to 3.6. Where a ship is equipped with shipboard fittings intended to be used for other towing services, the strength of these fittings and their supporting hull structures should also comply with these provisions. The strength of shipboard fittings intended to be used for both towing and mooring and of their supporting hull structures should also comply with the provisions of section 4.

3.2 Arrangements

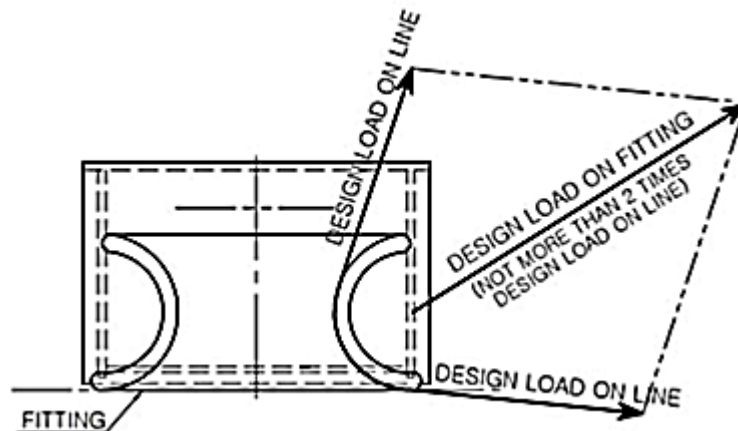
Shipboard fittings for towing should be located on stiffeners and/or girders which are part of the deck construction so as to facilitate efficient distribution of the towing load. Other equivalent arrangements may be accepted (for chocks in bulwarks, etc.), provided the strength is confirmed as adequate for the intended service.

3.3 Load considerations

3.3.1 The minimum design load applied to supporting hull structures for shipboard fittings should be:

- .1 for normal towing operations, 1.25 times the intended maximum towing load (e.g. static bollard pull), as indicated on the towing and mooring arrangements plan;
- .2 for other towing services, the ship design minimum breaking load of the tow line defined in appendix A; and
- .3 for fittings intended to be used for both normal and other towing operations, the greater of the design loads according to .1 and .2.

3.3.2 The design load should be applied to fittings in all directions that may occur by taking into account the arrangement shown on the towing and mooring arrangements plan. Where the towing line takes a turn at a fitting, the total design load applied to the fitting is equal to the resultant of the design loads acting on the line. However, in no case does the design load applied to the fitting need to be more than twice the design load on the line as specified in 3.3.1 (see figure below).



3.4 Shipboard fittings

3.4.1 Shipboard fittings may be selected from an industry standard accepted by the Administration and at least based on the following loads:

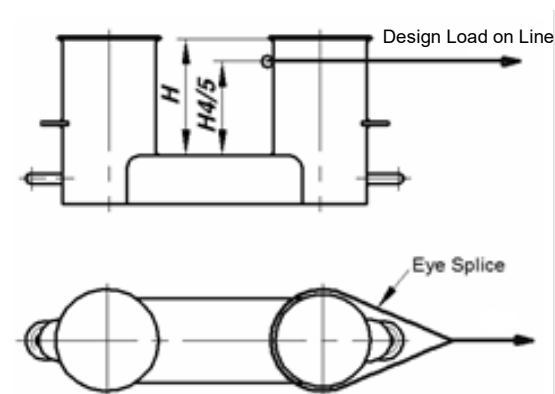
- .1 for normal towing operations, the intended maximum towing load (e.g. static bollard pull) as indicated on the towing and mooring arrangements plan;
- .2 for other towing services, the ship design minimum breaking load of the tow line according to appendix A; and
- .3 for fittings intended to be used for both normal and other towing operations, the greater of the loads according to .1 and .2.

3.4.2 When the shipboard fitting is not selected from an accepted industry standard, the strength of the fitting and of its attachment to the supporting hull structure should be in accordance with 3.3 and 3.5.

3.5 Supporting hull structure

3.5.1 The reinforcing members beneath shipboard fittings should be effectively arranged for any variation of direction (horizontally and vertically) of the towing forces acting upon the shipboard fittings. Proper alignment of fitting and supporting hull structures should be ensured.

3.5.2 The acting point of the towing force on shipboard fittings should be taken at the attachment point of a towing line or at a change in its direction. For bollards and bits the attachment point of the towing line should be taken not less than 4/5 of the tube height above the base (see figure below).



3.5.3 Under the design load conditions as specified in 3.3 the allowable normal stress should be taken as 100% and the allowable shearing stress as 60% of the specified yield point for the material used. Normal stress is the sum of bending stress and axial stress with the corresponding shearing stress acting perpendicular to the normal stress. No stress concentration factors being taken into account.

3.6 Safe towing load (TOW)

3.6.1 TOW used for normal towing operations should not exceed 80% of the design load as given in 3.3.1.1 and TOW used for other towing operations should not exceed 80% of the design load as given in 3.3.1.2. For fittings used for both, normal and other towing operations, the greater of the safe towing loads should be used.

3.6.2 TOW, in tonnes, of each shipboard fitting should be marked (by weld bead or equivalent) on the fittings intended for towing. For fittings intended to be used for both, towing and mooring, SWL, in tonnes, according to 4.6, should be marked in addition to TOW.

3.6.3 The above provisions on TOW apply for the use of no more than one towing line.

3.6.4 The towing and mooring arrangements plan described in section 5 should define the method of use of towing lines.

4 Mooring

4.1 Strength

The strength of shipboard fittings used for mooring operations and of their supporting hull structures, as well as the strength of supporting hull structures of winches and capstans, should comply with the provisions of 4.2 to 4.6. The strength of shipboard fittings, intended to be used for both, mooring and towing, and of their supporting hull structures, should also comply with the provisions of section 3.

4.2 Arrangements

Shipboard fittings, winches and capstans for mooring should be located on stiffeners and/or girders, which are part of the deck construction, so as to facilitate efficient distribution of the mooring load. Other equivalent arrangements may be accepted (for chocks in bulwarks, etc.) provided the strength is confirmed adequate for the service.

4.3 Load considerations

4.3.1 The minimum design load applied to supporting hull structures:

- .1 of shipboard fittings should be 1.15 times the ship design minimum breaking load of the mooring line provided in accordance with appendix A;
- .2 of winches should be 1.25 times the intended maximum brake holding load, where the maximum brake holding load should be assumed not less than 80% of the ship design minimum breaking load of the mooring line according to appendix A; and
- .3 of capstans 1.25 times the maximum hauling-in force.

4.3.2 The design load should be applied to fittings in all directions that may occur by taking into account the arrangement shown on the towing and mooring arrangements plan. Where the mooring line takes a turn at a fitting, the total design load applied to the fitting is equal to the resultant of the design loads acting on the line. However, in no case does the design load need to be more than twice the design load on the line as specified in 4.3.1 (see figure in 3.3).

4.4 Shipboard fittings

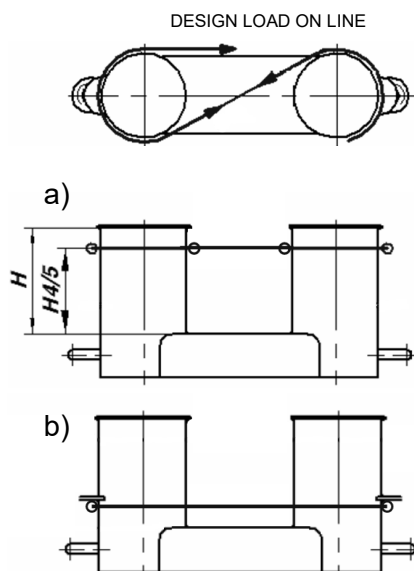
4.4.1 Shipboard fittings may be selected from industry standards accepted by the Administration at least based on the ship design minimum breaking load of the mooring line according to appendix A.

4.4.2 When the shipboard fitting is not selected from an accepted industry standard, the strength of the fittings and of its attachment to the supporting hull structure should be in accordance with 4.3 and 4.5.

4.5 Supporting hull structure

4.5.1 Arrangement of reinforcing members beneath shipboard fittings, winches and capstans should consider any variation of direction (horizontally and vertically) of the mooring forces acting upon the shipboard fittings. Proper alignment of fitting and supporting hull structures should be ensured.

4.5.2 The acting point of the mooring force on shipboard fittings should be taken at the attachment point of a mooring line or at a change in its direction. For bollards and bits the attachment point of the mooring line should be taken not less than 4/5 of the tube height above the base (see figure a) below). However, if fins are fitted to the bollard tubes to keep the mooring line as low as possible, the attachment point of the mooring line may be taken at the location of the fins (see figure b) below).



4.5.3 Under the design load conditions, as specified in 4.3, the allowable normal stress should be taken as 100% and the allowable shearing stress as 60% of the specified yield point for the material used. Normal stress is the sum of bending stress and axial stress with the corresponding shearing stress acting perpendicular to the normal stress, no stress concentration factors being taken into account.

4.6 Safe working load (SWL)

4.6.1 The SWL, for the purpose of marking, should be equal to the ship design minimum breaking load of the mooring line according to appendix A.

4.6.2 The SWL, in tonnes, of each shipboard fitting should be marked (by weld bead or equivalent) on the fittings intended for mooring. For fittings intended to be used for both mooring and towing, TOW, in tonnes, according to 3.6, should be marked in addition to SWL.

4.6.3 The above provisions on SWL apply for the use of no more than one mooring line.

4.6.4 The towing and mooring arrangements plan described in section 5 should define the method of use of mooring lines.

5 Towing and mooring arrangements plan

5.1 The SWL and TOW for the intended use for each shipboard fitting should be noted in the towing and mooring arrangements plan available on board for the guidance of the master. It should be noted that TOW is the load limit for towing purposes and SWL is the load limit for mooring purposes.

5.2 Information provided in the plan should include, in respect of each shipboard fitting:

- .1 location on the ship;
- .2 fitting type;
- .3 SWL/TOW;

- .4 purpose (mooring, normal towing or other towing); and
- .5 method of applying load of towing or mooring line including limiting fleet angle, i.e. angle of change in direction of a line at the fitting.

5.3 Furthermore, information provided on the plan is to include:

- .1 the arrangement of mooring lines showing number of lines (N);
- .2 the ship design minimum breaking load of each mooring line (MBL_{SD});
- .3 the length of each mooring line;
- .4 restrictions or limitations on the type (including material and construction), stiffness and diameter of mooring lines which are compatible with the mooring equipment and fittings; and
- .5 the acceptable environmental conditions as given in appendix A, section 3 for the recommended ship design minimum breaking load of mooring lines for ships with Equipment Number EN > 2000:
 - .1 30 second mean wind speed from any direction (v_W or v_W^* according to 3.1.3 or 3.2.2, respectively); and
 - .2 maximum current speed acting on bow or stern ($\pm 10^\circ$).

Note: When the applied design environmental criteria exceed the above given criteria, information provided in the plan should include the design environmental criteria, similar to the parameters in appendix A:

- .1 wind speed and direction; and
- .2 current speed and direction.

APPENDIX A

MOORING AND TOW LINES

1 General

1.1 The mooring lines for ships with Equipment Number (EN) of less than or equal to 2,000 are given in section 2. For other ships the mooring lines are given in section 3.

1.2 The applicable provisions for tow lines are given in section 2.

1.3 The EN should be calculated in compliance with appendix B. Deck cargo as given by the loading manual should be included for the determination of side-projected area A.

1.4 Sections 2 and 3 specify the minimum recommended number and minimum strength of mooring lines (MBL_{SD}). The designer should consider verifying the adequacy of mooring lines based on assessments carried out for the individual mooring arrangement, expected shore-side mooring facilities and expected prevalent environmental conditions.

2 Mooring lines for ships with $EN \leq 2000$ and tow lines

2.1 The minimum recommended mooring lines for ships having an EN of less than or equal to 2,000 are given in table 1.

2.2 For ships having the ratio $A/EN > 0.9$ the following number of lines should be added to the number of mooring lines as given in table 1:

one line where $0.9 < \frac{A}{EN} \leq 1.1$,

two lines where $1.1 < \frac{A}{EN} \leq 1.2$,

three lines where $1.2 < \frac{A}{EN}$.

2.3 The tow lines are given in table 1 and are intended as own tow line of a ship to be towed by a tug or another ship.

Table 1: Mooring and tow lines for ships with EN ≤ 2000

EQUIPMENT NUMBER		MOORING LINES		TOW LINE*
Exceeding	Not exceeding	No. of mooring lines	Ship design minimum breaking load (kN)	Ship design minimum breaking load (kN)
1	2	3	4	5
50	70	3	37	98
70	90	3	40	98
90	110	3	42	98
110	130	3	48	98
130	150	3	53	98
150	175	3	59	98
175	205	3	64	112
205	240	4	69	129
240	280	4	75	150
280	320	4	80	174
320	360	4	85	207
360	400	4	96	224
400	450	4	107	250
450	500	4	117	277
500	550	4	134	306
550	600	4	143	338
600	660	4	160	370
660	720	4	171	406
720	780	4	187	441
780	840	4	202	479
840	910	4	218	518
910	980	4	235	559
980	1,060	4	250	603
1,060	1,140	4	272	647
1,140	1,220	4	293	691
1,220	1,300	4	309	738
1,300	1,390	4	336	786
1,390	1,480	4	352	836
1,480	1,570	5	352	888
1,570	1,670	5	362	941
1,670	1,790	5	384	1,024
1,790	1,930	5	411	1,109
1,930	2,080	5**	437**	1,168
2,080	2,230	**	**	1,259
2,230	2,380	**	**	1,356
2,380	2,530	**	**	1,453
2,530	-	**	**	1,471

* Information is provided in relation to 3.3.1.2 and 3.4.1.2 of the annex to Revised guidance and provision on board of such a line is not necessary under this guidance.

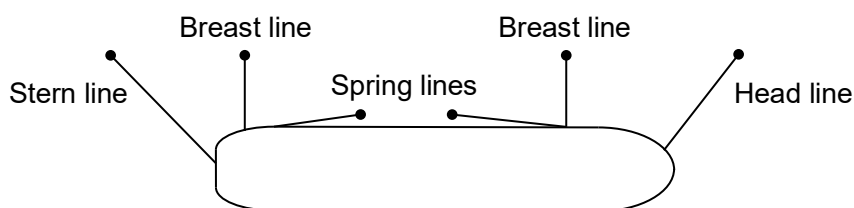
** For ships with EN > 2,000 see section 3 of appendix A.

3 Mooring lines for ships with EN > 2,000

3.1 General

3.1.1 The following is defined with respect to the purpose of mooring lines (see also figure below):

- .1 *Breast line*: A mooring line that is deployed perpendicular to the ship, restraining the ship in the off-berth direction;
- .2 *Spring line*: A mooring line that is deployed almost parallel to the ship, restraining the ship in fore or aft direction; and
- .3 *Head/Stern line*: A mooring line that is oriented between longitudinal and transverse direction, restraining the ship in the off-berth and in fore or aft direction. The amount of restraint in fore or aft and off-berth direction depends on the line angle relative to these directions.



- .4 Breast lines provide the maximum transverse restraint and spring lines the maximum longitudinal restraint against vessel movement in athwart and in fore-aft direction, respectively. Head and stern lines are much less effective for these purposes. The applied mooring layout should follow these principles as far as possible with respect to the port facilities and as far as reasonable with respect to the vertical line angles.

3.1.2 The strength of mooring lines and the number of head, stern and breast lines for ships with an EN > 2,000 are based on the side-projected area A_1 . Side projected area A_1 should be calculated similar to the side-projected area A according to appendix B but considering the following conditions:

- .1 For oil tankers, chemical tankers, bulk carriers and ore carriers the lightest ballast draft should be considered for the calculation of the side-projected area A_1 . For other ships the lightest draft of usual loading conditions should be considered if the ratio of the freeboard in the lightest draft and the full load condition is equal to or above two. Usual loading conditions mean loading conditions as given by the trim and stability booklet that are to be expected to regularly occur during operations, excluding light weight conditions, propeller inspection conditions, etc.
- .2 Wind shielding of the pier can be considered for the calculation of the side-projected area A_1 unless the ship is intended to be regularly moored to jetty-type piers. A height of the pier surface of 3 m above the waterline may be assumed, i.e. the lower part of the side-projected area with a height of 3 m above the waterline for the considered loading condition may be disregarded for the calculation of the side-projected area A_1 .

- .3 Deck cargoes as given by the loading manual should be included for the determination of side-projected area A_1 . Deck cargo may not need to be considered if a usual light draft condition without cargo on deck generates a larger side-projected area A_1 than the full load condition with cargo on deck. The larger of both side-projected areas should be chosen as side-projected area A_1 .

3.1.3 The mooring lines as given hereunder are based on a maximum current speed of 1.0 m/s and the following maximum wind speed v_w , in m/s:

$$\begin{aligned} v_w &= 25.0 - 0.002 (A_1 - 2,000) \text{ for passenger ships, ferries and car carriers} \\ &\quad \text{with } 2,000 \text{ m}^2 < A_1 \leq 4,000 \text{ m}^2 \\ &= 21.0 \text{ for passenger ships, ferries and car carriers with } A_1 > 4,000 \text{ m}^2 \\ &= 25.0 \text{ for other ships} \end{aligned}$$

3.1.4 The wind speed is considered representative of a 30 second mean speed from any direction and at a height of 10 m above the ground. The current speed is considered representative of the maximum current speed acting on bow or stern ($\pm 10^\circ$) and at a depth of one-half of the mean draft. Furthermore, it is considered that ships are moored to solid piers that provide shielding against cross current.

3.1.5 Additional loads caused by, for example, higher wind or current speeds, cross currents, additional wave loads or reduced shielding from non-solid piers may need to be particularly considered. Furthermore, it should be observed that unbeneficial mooring layouts can considerably increase the loads on single mooring lines.

3.2 Ship design minimum breaking load

3.2.1 The ship design minimum breaking load, in kN, of the mooring lines should be taken as:

$$MBL_{SD} = 0.1 \cdot A_1 + 350$$

3.2.2 The ship design minimum breaking load may be limited to 1,275 kN (130 t). However, in this case the moorings are to be considered as not sufficient for environmental conditions given by A.3.1.3. For these ships, the acceptable wind speed v_w^* , in m/s, can be estimated as follows:

$$v_w^* = v_w \cdot \sqrt{\frac{MBL_{SD}^*}{MBL_{SD}}}$$

where v_w is the wind speed as per 3.1.3 above, MBL_{SD}^* the breaking strength of the mooring lines intended to be supplied and MBL_{SD} the breaking strength as recommended according to the above formula. However, the ship design minimum breaking load should not be taken less than corresponding to an acceptable wind speed of 21 m/s:

$$MBL_{SD}^* \geq \left(\frac{21}{v_w}\right)^2 \cdot MBL_{SD}$$

3.2.3 If lines are intended to be supplied for an acceptable wind speed v_w^* higher than v_w as per 3.1.3, the ship design minimum breaking load should be taken as:

$$MBL_{SD}^* = \left(\frac{v_w^*}{v_w}\right)^2 \cdot MBL_{SD}$$

3.3 Number of mooring lines

3.3.1 The total number of head, stern and breast lines should be taken as:

$$n = 8.3 \cdot 10^{-4} \cdot A_1 + 6$$

3.3.2 For oil tankers, chemical tankers, bulk carriers and ore carriers, the total number of head, stern and breast lines should be taken as:

$$n = 8.3 \cdot 10^{-4} \cdot A_1 + 4$$

3.3.3 The total number of head, stern and breast lines should be rounded to the nearest whole number.

3.3.4 The number of head, stern and breast lines may be increased or decreased in conjunction with an adjustment to the strength of the lines. The adjusted strength, MBL_{SD}^{**} , should be taken as:

$$MBL_{SD}^{**} = 1.2 \cdot MBL_{SD} \cdot n/n^{**} \leq MBL_{SD} \quad \text{for increased number of lines,}$$

$$MBL_{SD}^{**} = MBL_{SD} \cdot n/n^{**} \quad \text{for reduced number of lines,}$$

where MBL_{SD} is MBL_{SD} or MBL_{SD}^* specified in 3.2, as appropriate; n^{**} is the increased or decreased total number of head, stern and breast lines and n the number of lines for the considered ship type as calculated according to 3.3.1 or 3.3.2 without rounding.

3.3.5 Vice versa, the strength of head, stern and breast lines may be increased or decreased in conjunction with an adjustment to the number of lines.

3.3.6 The total number of spring lines should be taken not less than:

two lines where $EN < 5,000$; and

four lines where $EN \geq 5,000$.

3.3.7 The strength of spring lines should be the same as that of the head, stern and breast lines. If the number of head, stern and breast lines is increased in conjunction with an adjustment to the strength of the lines, the number of spring lines should be taken as follows, but rounded up to the nearest even number:

$$n_s^* = MBL_{SD} / MBL_{SD}^{**} \cdot n_s$$

where MBL_{SD} is MBL_{SD} or MBL_{SD}^* specified in 3.2, as appropriate, MBL_{SD}^{**} the adjusted strength of lines as specified in 3.3.4, n_s the number of spring lines as given in 3.3.6 and n_s^* the increased number of spring lines.

APPENDIX B

EQUIPMENT NUMBER

The equipment number (EN) should be calculated as follows:

$$EN = \Delta^{2/3} + 2.0hB + \frac{A}{10}$$

where:

Δ = Moulded displacement, in tonnes, to the Summer Load Waterline.

B = Moulded breadth, in metres.

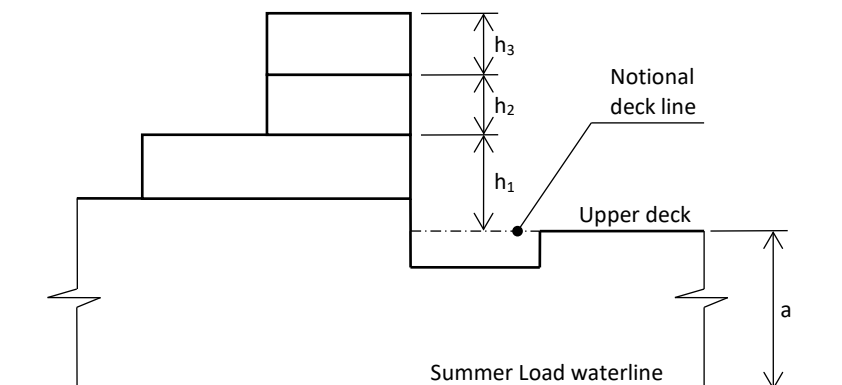
h = Effective height, in metres, from the Summer Load Waterline to the top of the uppermost house; for the lowest tier 'h' should be measured at centreline from the upper deck or from a notional deck line where there is local discontinuity in the upper deck (see figure below for an example).

$$h = a + \sum h_i$$

a = Distance, in metres, from the Summer Load Waterline amidships to the upper deck.

h_i = Height, in metres, on the centreline of each tier of houses having a breadth greater than $B/4$.

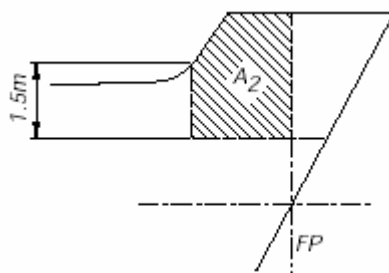
A = Side-projected area, in square metres, of the hull, superstructures and houses above the Summer Load Waterline which are within the equipment length of the ship and also have a breadth greater than $B/4$.



NOTES:

- 1 When calculating h , sheer and trim should be ignored, i.e. h is the sum of freeboard amidships plus the height (at centreline) of each tier of houses having a breadth greater than $B/4$.
- 2 If a house having a breadth greater than $B/4$ is above a house with a breadth of $B/4$ or less, then the wide house should be included but the narrow house ignored.

- 3 Screens or bulwarks 1.5 metres or more in height should be regarded as parts of houses when determining h and A . The height of the hatch coamings and that of any deck cargo, such as containers, may be disregarded when determining h and A . With regard to determining A , when a bulwark is more than 1.5 metres high, the area shown below as A_2 should be included in A .



- 4 The equipment length of the ships is the length between perpendiculars but should not be less than 96% nor greater than 97% of the extreme length on the Summer Waterline (measured from the forward end of the waterline).

4 ALBERT EMBANKMENT
LONDON SE1 7SR
Telephone: +44 (0)20 7735 7611 Fax: +44 (0)20 7587 3210

MSC.1/Circ.1619*
11 December 2020

**GUIDELINES ON THE DESIGN OF MOORING ARRANGEMENTS
AND THE SELECTION OF APPROPRIATE MOORING EQUIPMENT
AND FITTINGS FOR SAFE MOORING**

1 The Maritime Safety Committee, at its 102nd session (4 to 11 November 2020), having considered a proposal by the Sub-Committee on Ship Design and Construction, at its sixth session (4 to 8 February 2019), and recognizing the importance of design of mooring arrangements and the selection of appropriate mooring equipment and fittings for safe mooring operations, with a view to ensuring a uniform approach towards the application of the provisions of SOLAS regulation II-1/3-8, as amended by resolution MSC.474(102), which is expected to become effective on 1 January 2024, approved the *Guidelines on the design of mooring arrangements and the selection of appropriate mooring equipment and fittings for safe mooring*, as set out in the annex.

2 Member States are invited to bring the annexed Guidelines to the attention of ship designers, shipyards, shipowners, ship managers, bareboat charterers and other organizations or persons responsible for design of mooring arrangements and the selection of appropriate mooring equipment and fittings.

3 Member States are also invited to bring the annexed Guidelines to the attention of shipmasters, ships' officers and crew, and all other parties concerned.

* Re-issued to refer to the correct resolution MSC.474(102) in paragraph 1 of the cover sheet.

ANNEX

GUIDELINES ON THE DESIGN OF MOORING ARRANGEMENTS AND THE SELECTION OF APPROPRIATE MOORING EQUIPMENT AND FITTINGS FOR SAFE MOORING

1 Introduction

1.1 Historical evolution in ship designs, especially the design of large ships, has resulted in optimized performance and a greater degree of complexity; this has not been extended to the design of ships' mooring arrangements. These Guidelines support the application of the provisions of SOLAS for mooring arrangements and encourage greater consideration of the occupational safety and safe mooring of the ship when designing new ships. Improving the design of mooring arrangements should enhance usability and safety during towing and mooring operations.

1.2 Regulations II-1/3-8.7 and II-1/3-8.8 of the International Convention for the Safety of Life at Sea (SOLAS), as amended, require that for ships of 3,000 gross tonnage and above constructed on or after 1 January 2024, the mooring arrangement shall be designed, and the mooring equipment including lines shall be selected, in order to ensure occupational safety and safe mooring of the ship; and ships of less than 3,000 gross tonnage constructed on or after 1 January 2024 should comply with these requirements as far as reasonably practicable, or with applicable national standards of the Administration.

1.3 These Guidelines provide an approach to the design of mooring arrangements, and the selection of mooring equipment and fittings, which should be applied in conjunction with principles of ergonomics and usability.

2 Definitions

For the purposes of these Guidelines:

2.1 *Line Design Break Force (LDBF)* means the minimum force that a new, dry, spliced, mooring line will break at. This is for all synthetic cordage materials.

2.2 *Mooring area* refers to the dedicated area on a ship where mooring equipment is installed and line-handling takes place. It also includes areas where there is a risk of personnel injury in event of snap-back or other failure of mooring equipment. There may be multiple mooring areas on a ship.

2.3 *Mooring arrangements* means the configuration of the mooring equipment and fittings and other design features of the ships related to the mooring operation, i.e. lighting and communication equipment.

2.4 *Mooring equipment and fittings* means items such as mooring winches, capstans, bollards, bitts, fairleads, rollers, chocks, etc. and also includes mooring lines.

2.5 *Mooring lines* means ropes, wires and combinations used for mooring operations other than messenger lines but including tails.

2.6 *Mooring operations* means normal mooring and unmooring of the ship, including associated in-harbour towing movements.

2.7 *Mooring personnel* means personnel tasked to assist in the activity of mooring and unmooring ships, either ashore or from mooring boats, carried out within the framework of port marine services.

2.8 *Shipboard personnel* means personnel assigned duties for supervising or working in mooring areas during mooring operations.

2.9 *Ship Design Minimum Breaking Load (MBL_{SD})* means the minimum breaking load of new, dry, mooring lines for which shipboard fittings and supporting hull structures are designed in order to meet mooring restraint requirements.

2.10 *Supervising personnel* means shipboard personnel assigned duties for supervising mooring areas during mooring operations.

2.11 *Towing and mooring arrangements plan* means the plan as described in section 5 of the annex to the *Revised guidance on shipboard towing and mooring equipment* (MSC.1/Circ.1175/Rev.1). This plan presents specific information regarding the towing and mooring fittings aboard the vessel, the mooring lines, as well as the arrangement of mooring lines and the acceptable environmental conditions for mooring.

2.12 *Working Load Limit (WLL)* means the maximum load that a mooring line should be subjected to in operational service, calculated from the relevant environmental mooring restraint requirement.

3 Goals

The equipment selection and mooring arrangement design safety objectives should be to facilitate safe mooring operations and reduce the risk to shipboard personnel and mooring personnel caused by inappropriate selection and arrangement of equipment and fittings.

4 Functional objectives

4.1 A ship should be provided with mooring equipment and fittings appropriate for its type and size. In addition, a ship should be provided with mooring lines appropriate for the equipment and fittings installed on board. In order to achieve the goals for the correct equipment selection and mooring arrangement design safety objectives set out in section 3, the following functional objectives should be applied.

4.2 Mooring equipment and fittings should be:

- .1 arranged to minimize obstructed access to and operation of the mooring equipment;
- .2 arranged to minimize obstructed access to working space and minimize obstructed view of the mooring area;
- .3 arranged to minimize the need for complex mooring line configurations during the normal operation of the ship;
- .4 selected and arranged to minimize the need for manual handling of mooring lines under load; and
- .5 selected and arranged to minimize the exposure of personnel involved in mooring operations to the dynamic loads of mooring lines.

5 Achievement of the functional objectives

To meet the functional objectives, the following design and equipment features should be considered from the earliest stage in the design process.

Selection of equipment, fittings and mooring lines should not be undertaken independently. To facilitate safe mooring operations, it is necessary for mooring equipment, fittings and mooring lines to be considered as a complete system within which all components are compatible.

The guidance on the design of mooring arrangements and the selection of equipment and fittings should be read in conjunction with MSC.1/Circ.1175/Rev.1.

This section should be implemented to the extent permitted by the size and purpose of the ship.

5.1 Design of mooring arrangements

5.1.1 To minimize the need for complex mooring line configurations during the normal operation of the ship, mooring winches and fairleads should be positioned to allow the use of direct, unobstructed leads from the mooring winch to the fairlead for each of the mooring lines described in the towing and mooring arrangements plan. It is preferable to provide a dedicated fairlead for each mooring line.

5.1.2 Where a straight lead is not possible:

- .1 the deviation from a straight lead should be by means of pedestal fairleads, rolling fairleads or similar means that will reduce friction between line/fitting and reduce bend losses. Steel fittings such as horns or bollards without chafe protection should be avoided;
- .2 the line should traverse the mooring area from winch to the fairlead by the shortest route; and
- .3 changes of direction of mooring line should be minimized to prevent reductions in mooring line strength due to bend loss and introduction of complex snap-back areas.

5.1.3 To provide for the oversight and supervision of the mooring operations, the mooring area should be designed to give supervising personnel an unobstructed view of the installed mooring equipment and fittings. This should include the provision for a platform, or other appropriate means, by which supervising personnel can obtain an unobstructed view of the mooring area and berth arrangements planned to be used from a position clear of hazards.

5.1.4 The mooring arrangements should be designed to provide unobstructed views between shipboard personnel, and of lines being worked, within the mooring area.

5.1.5 The winch operator should be provided with mooring winch controls that are positioned so that the winch operator has a direct view of the line in the mooring area being worked without stepping away from the winch controls. Winch controls should be positioned clear of hazards.

5.1.6 Deck illumination should provide a clear view of the mooring area and the equipment and lines being worked during hours of darkness or in conditions of limited visibility.

5.1.7 The design of mooring arrangements and mooring areas should take into account the following constraints:

- .1 anticipated variations in shore-based mooring arrangements and the need to preserve flexibility in mooring line configurations to achieve an appropriate restraining capacity;
- .2 ships' structural elements, including accommodation, ventilation exhausts, cargo equipment or similar obstacles, on access; and
- .3 special requirements for the location and selection of mooring equipment and fittings, for example special requirements for canal transits.

5.1.8 Unless the size and special features of the ship do not permit it, equipment and fittings in mooring areas should be positioned to provide shipboard personnel with unobstructed access to the following during mooring operations:

- .1 mooring winches and winch controls;
- .2 mooring fittings;
- .3 mooring lines and mooring line stowage; and
- .4 the space between shipside fairleads and winches to permit mooring personnel to safely apply stoppers to mooring lines when necessary.

5.1.9 The mooring arrangements should be designed to avoid the exposure of the shipboard personnel to lines under tension through snap-back or sudden movements of mooring lines. In this respect the following measures should be considered:

- .1 locate winches close to shipside fairleads. The position of winches should not result in inappropriate mooring line orientations, or block or otherwise interfere with the use of shipside fairleads for additional mooring lines, connecting up of tugs for towage during mooring operations or the ability to safely moor the ship;
- .2 enclosing the mooring line(s) behind barrier(s) provided that such enclosures do not adversely affect the performance of the mooring system and do not prevent effective inspection and maintenance of equipment, fittings and mooring lines;
- .3 alternative design(s) where crew members do not need to work close to or have to pass mooring lines under tension or potentially under tension;
- .4 use of appropriate, alternative means to moor the ship, including but not limited to automated mooring systems; or
- .5 permanently fix mooring lines to a mooring winch.

5.1.10 Mooring areas should be considered as potential snap-back zones and signage should be provided to indicate that this is the case.

5.1.11 To minimize the need for manual handling of towing and mooring lines, the following measures should be considered:

- .1 equipment and fitting arrangements should minimize the distance over which any mooring line may need to be handled;
- .2 the use of fixed or dedicated mooring lines, taking into account the need to avoid inappropriate mooring line orientations, or block or otherwise interfere with the use of shipside fairleads for additional mooring lines, connecting up of tugs for towage during mooring operations or the ability to safely moor the ship;
- .3 the layout to be designed to prevent manual intervention in transfer of the mooring line from storage drum to mooring winch drum and vice versa;
- .4 use of spooling equipment;
- .5 additional mooring lines should be available for immediate use, provided that their stowage does not interfere with the safe operation of the mooring equipment; and
- .6 a sufficient number of mooring winches so that, during mooring operations, manual use of warping ends, stoppers, capstans and bitts is minimized, as far as possible.

5.1.12 The mooring arrangement design should take into account the principles for effective mooring arrangements included in appropriate industry guidance on mooring equipment and fittings.

5.2 Selection of equipment, fittings and mooring lines

5.2.1 The selection of winches should take into account:

- .1 the availability of winches with alternative drum arrangements, including split drum arrangements, which can reduce the need for manual handling of mooring lines during mooring operations;
- .2 the positioning of winch controls, including the availability of remote controls for winches to improve the line of sight and reduce operator exposure to snap-back;
- .3 the availability of constant tension winches and their appropriateness for the normal operation of the ship; and
- .4 limiting noise levels to ensure proper communication during mooring operations.

5.2.2 The selection of fittings should take into account:

- .1 the type of mooring line with which the fitting is designed to be used. The design or selection of the fitting and the design of its hull supporting structure should be done in accordance with MSC.1/Circ.1175/Rev.1;

- .2 the diameter D of surfaces of mooring fittings that are in contact with the mooring line in relation to the mooring line diameter d (D/d ratio) to reduce or mitigate bend loss of strength; and
- .3 the need for the load-bearing surfaces of fittings to minimize damage from chafing and abrasion.

5.2.3 The selection of mooring lines should take into account:

- .1 the guidance on mooring restraint as per appendix A of MSC.1/Circ.1175/Rev.1;
- .2 the diameter D of surfaces of mooring fittings that are in contact with the mooring line in relation to the mooring line diameter d (D/d ratio) to reduce or mitigate bend loss of strength;
- .3 the compatibility of the MBL_{SD} of mooring lines and the brake capacity of the mooring winches installed on board;
- .4 the Line Design Break Force (LDBF) to be 100% to 105% of the MBL_{SD} ;
- .5 the characteristics and limitations of mooring lines including material properties and environmental operating conditions anticipated during normal operation of the ship;
- .6 the anticipated behaviour of the mooring line in the event of failure;
- .7 the influence on stored energy and the potential for snap-back of high stiffness mooring lines caused by the use of tails; and
- .8 as far as possible, but at least for lines in the same service (e.g. headlines, breast lines or springs), mooring lines of the same diameter and type (i.e. material) should be used.

5.2.4 To avoid overload on mooring winches, fittings and mooring lines, consideration should be given to select mooring winches with brake capacity of less than the ship design minimum breaking load of the mooring line or with adjustable brake capacity.

5.2.5 Fittings, particularly shipside fairleads, should be positioned to minimize the potential for chafing of mooring lines during the normal operation of the ship.

5.2.6 The selection of equipment and fittings including lines should take into account the principles for effective mooring arrangements included in appropriate industry guidance.

5.2.7 The mooring equipment, fittings and the mooring lines should at all times be compatible in design, diameter, strength, suitability, etc. and maintained with the original purpose and concept of the mooring arrangement.

5.2.8 Load limits

5.2.8.1 Notwithstanding the definitions in paragraph 2.1, LDBF of mooring lines made of nylon should be tested under wet and spliced conditions.

5.2.8.2 All components of a ship's mooring system, within defined tolerances, should be selected based on MBL_{SD} .

5.2.8.3 When selecting lines, the LDBF should be 100% to 105% of the MBL_{SD} .

5.2.8.4 The WLL of mooring lines should be used as user operating limiting values, not to be exceeded. The WLL is expressed as a percentage of MBL_{SD} and should be used as a limiting value in operational mooring analyses. Steel wires have a WLL of 55% of MBL_{SD} and all other cordage (synthetic) have a WLL of 50% of the MBL_{SD} .

6 Documentation on deviation

6.1 A supplement to the "Towing and mooring arrangements plan" should record the deviations if any, in relation to the following paragraphs:

- .1 5.1.2 (where a straight lead is not possible);
- .2 5.1.4 (unobstructed views);
- .3 5.1.5 (protection of winch operators);
- .4 5.1.8 (access to mooring equipment and fitting);
- .5 5.1.9 (exposure of the shipboard personnel to lines under tension); and
- .6 5.1.11 (minimize the need for manual handling of towing and mooring lines).

6.2 The documentation should include justification for such deviations and suitable safety measures, if any.

6.3 A reference to the supplement should be included in the towing and mooring arrangement plan so as to make the shipboard personnel aware of the safety measures which need to be considered during mooring operations.

7 References

- (1) Oil Companies International Marine Forum (OCIMF), *Mooring Equipment Guidelines, 4th Edition 2018*, ISBN: 978-1-85609-771-0.
- (2) Ian. C. Clark BSc, MSc, Master Mariner, MNI, *The Nautical Institute, Mooring and Anchoring Ships Vol.1, Principle and Practice*, ISBN: 9781906915934, 2009.

4 ALBERT EMBANKMENT
LONDON SE1 7SR
Telephone: +44 (0)20 7735 7611 Fax: +44 (0)20 7587 3210

MSC.1/Circ.1620
24 December 2020

**GUIDELINES FOR INSPECTION AND MAINTENANCE OF
MOORING EQUIPMENT INCLUDING LINES**

- 1 The Maritime Safety Committee, at its 102nd session (4 to 11 November 2020), having considered a proposal by the Sub-Committee on Ship Design and Construction, at its sixth session, and recognizing the importance of inspection and maintenance of mooring equipment including lines, approved the *Guidelines for inspection and maintenance of mooring equipment including lines*, as set out in the annex.
- 2 Member States are invited to bring the annexed Guidelines to the attention of shipowners, ship managers, bareboat charterers and other organizations or persons responsible for operation of ships.
- 3 Member States are also invited to bring the annexed Guidelines to the attention of shipmasters, ships' officers and crew and all other parties concerned, for providing guidance on inspection and maintenance of mooring equipment including mooring lines.

ANNEX

GUIDELINES FOR INSPECTION AND MAINTENANCE OF MOORING EQUIPMENT INCLUDING LINES

1 General

1.1 Purpose

The purpose of these Guidelines is to provide recommendations and guidance for maintenance and in-service inspections of mooring equipment including lines and tails, criteria for identifying worn-out lines and tails for removal from service before failure, and criteria for selection of replacement mooring lines and tails.

1.2 Application

These Guidelines apply to all ships. Certain provisions are intended for reference by shipboard personnel, and other provisions are intended for Company personnel responsible for selecting and procuring replacement mooring lines.

2 Definitions

For the purpose of these Guidelines:

2.1 *Bend radius (D/d ratio)* means the diameter, D, of a mooring fitting divided by the diameter, d, of a mooring line that is led around or through the fitting. The D/d ratio is used by mooring line manufacturers to specify the minimum radius of a fitting around or through which a mooring line of diameter "d" should be led, in order to reduce or mitigate bend loss of strength of the mooring line.

2.2 *Company* means company, as defined in SOLAS regulation IX/1.2.

2.3 *Line Design Break Force (LDBF)* means the minimum force that a new, dry, spliced, mooring line will break at. This is for all synthetic cordage materials.

2.4 *Mooring arrangement* means the configuration of the mooring equipment and fittings and other design features of the ship related to the mooring operation, i.e. lighting and communication equipment.

2.5 *Mooring boat* means the boat handling mooring lines between the ship and ashore mooring facilities during mooring and unmooring operations and does not include harbour ship assist tugs (see the *Guidelines on minimum training and education of mooring personnel* (FAL.6/Circ.11/Rev.1)).

2.6 *Mooring equipment and fittings* means items such as winches, capstans, bollards, bitts, fairleads, rollers, chocks, etc. and also includes mooring lines.

2.7 *Mooring line configuration* means all components of an individual mooring line, including tails, eye splices, etc. Any change or replacement of a component is a change to the line's configuration, unless a component is replaced by a part having the same specification as in the original configuration.

2.8 *Mooring operations* means normal mooring and unmooring of the ship, including associated in-harbour towing movements.

2.9 *Mooring personnel* means personnel tasked to assist in the activity of mooring and unmooring ships, either ashore or from mooring boats, carried out within the framework of port marine services.

2.10 *Rotation of mooring lines* means periodical change of mooring lines for respective mooring drums to equalize the wear of mooring lines.

2.11 *Ship Design Minimum Breaking Load* (MBL_{SD}) means the minimum breaking load of new, dry, mooring lines for which shipboard fittings and supporting hull structures are designed in order to meet mooring restraint requirements.

2.12 *Towing and mooring arrangements plan* means the plan as described in section 5 of the annex to the *Revised guidance on shipboard towing and mooring equipment* (MSC.1/Circ.1175/Rev.1). This plan presents specific information regarding the towing and mooring fittings aboard the vessel, the mooring lines, as well as the arrangement of mooring lines and the acceptable environmental conditions for mooring.

3 Safe use of mooring equipment

3.1 Safe use of mooring equipment and fittings

Throughout its operational life, mooring equipment should be maintained and operated in accordance with the original design concept, if available, including when replacing parts and lines. In order to ensure all mooring equipment functions as designed, the Company should establish procedures for mooring operations, inspection and maintenance of mooring equipment, including mooring lines, taking into account appropriate references listed in paragraph 7 of these Guidelines.

3.2 Protection and storage of mooring lines

To preserve the design life of mooring lines, the following practices should be followed during mooring operations:

- .1 smooth contacts at turn-off points with large angles and/or eye splices; and
- .2 using covers/mats at ship side to protect against any friction damage.

3.3 Control of mooring lines

3.3.1 The Company should establish procedures to allow the identification and control of mooring lines, tails and associated attachments when on board and to facilitate inspection and maintenance of mooring lines. Such procedures should include:

- .1 providing a means of recording the number, type and location of mooring lines, tails and associated attachments. Such records may be included in either the towing and mooring arrangements plan or with records of inspection and maintenance or an alternative established by the requirements of the Company; and
- .2 providing a means of linking specific mooring lines, tails and associated attachments to the relevant records and a manufacturer's certificate, if available.

3.3.2 Any defect discovered to the mooring lines during mooring operations should be immediately reported to the Master by all parties concerned including shore-based mooring personnel. If no actions are taken as appropriate the competent authorities should be informed, as necessary.

4 Inspection and maintenance of mooring lines

4.1 Inspection of mooring lines

4.1.1 To prevent the deterioration of mooring lines to a condition which may result in the failure of the line during mooring operations, the periodic inspection of mooring lines, mooring line tails and associated attachments should be included in the onboard maintenance plan or equivalent maintenance management system. The maintenance plan may be computer based.

4.1.2 The requirements for inspection of individual mooring lines will be specific to the type of mooring line used on board. In general, onboard inspection of mooring lines will be based on manufacturer recommendations and by visual inspection of the outside of the mooring line to identify excessive wear or damage, e.g. external abrasion, external cut, kink, heat damage such as fusion and slackening or fraying of eye splices. Such visual inspections should be based on:

- .1 the recommendations of the mooring line and/or tail manufacturer, particularly the criteria provided for the assessment of mooring line condition;
- .2 operational experience regarding the performance of the mooring line and/or mooring line tail during previous mooring operations; and
- .3 the environmental conditions to which the mooring lines and/or mooring line tails are routinely exposed.

4.1.3 In the case of jacketed synthetic fibre mooring lines, detailed visual inspection of the condition of the synthetic fibre line may not be possible. The condition of the external jacket is not an accurate indicator of the condition of the load-bearing synthetic fibre material within the mooring line.

4.2 Maintenance of mooring lines

The Company should establish the maintenance procedures as required in paragraph 3.1 of these Guidelines. The maintenance procedures should specify replacement of in-service mooring lines and may include the rotation of mooring lines.

4.3 Criteria for condemning worn-out mooring lines

4.3.1 The replacement of in-service mooring lines which have been assessed as no longer suitable for use should be based on the removal prior to failure and in accordance with criteria provided by the manufacturer.

4.3.2 For visual inspection and replacement of mooring lines, additional advice is provided in industry guidance on mooring line and mooring line tail inspections.

4.4 Inspection and maintenance of equipment and fittings

4.4.1 Equipment and fittings should be properly inspected and maintained, based on the manufacturer's recommendations. Mooring equipment and fittings should be included in the onboard maintenance plan or equivalent maintenance management system. The maintenance plan may be computer based.

4.4.2 Maintenance should include the preservation, by appropriate means, of the clear marking of information on equipment and fittings, including Safe Working Load (SWL) and winch control instructions.

4.4.3 Records of inspection and maintenance of equipment and fittings should be available on board.

4.4.4 Records of the original design concept, equipment, arrangement and specifications should be retained on board through the life cycle of the ship.

4.4.5 To preserve the design life of mooring lines and reduce the potential for failure during mooring operations any storage provided for additional (loose) mooring lines should minimize the exposure to harmful environments (e.g. UV light, water, chemicals, cargo, extreme temperature).

5 Selection of replacement mooring lines

5.1 When replacing mooring lines, compatibility with the mooring equipment and fittings on board, as specified in the mooring arrangement plan, should be taken into account. This should be achieved by selecting a replacement mooring line which meets the designed specifications. In cases where this is not possible, the following properties should be taken into consideration and the towing and mooring arrangement plan updated accordingly:

- .1 breaking strength;
- .2 environmental conditions to be used (e.g. temperature);
- .3 linear density;
- .4 tenacity;
- .5 D/d ratios;
- .6 compression fatigue; and
- .7 stiffness.

5.2 Any increase in LDBF for the mooring lines above the limits specified, i.e. 100% to 105% of the MBL_{SD} , may require a review of the operating parameters and load limits of mooring equipment and fitting as well as of their hull supporting structures.

5.3 It should be noted that, when selecting replacement mooring lines, over time in service their strength will decay due to varying environmental conditions and thus the original service life expectations may not be achieved. Therefore, the Company should ensure that the condition of mooring lines is tracked throughout their service with the objective to replace the line before failure.

5.4 For wire ropes, corrosion protection should be considered.

5.5 For both wire and fibre mooring lines, the acceptable minimum bend radius (D/d ratio) recommended by the manufacturer should be taken into consideration as strength and life expectancy of these lines are directly related to the bend radius they are exposed to in service.

5.6 Where the acceptable minimum bend radius recommendations for a particular mooring line are not achievable, the service life of the line may be less than that stated by the manufacturer and therefore the line may need to be replaced before the end of the service life recommended by the manufacturer. The condition of lines regularly exposed to below the acceptable minimum bend radius should be subject to particular attention during inspections.

5.7 When selecting replacement mooring lines with high stiffness, including wire and high modulus synthetic lines, consideration should be given to the use of synthetic tails in order to reduce peak loading when the ship is secured alongside.

5.8 Consideration of the use of synthetic tails on high stiffness mooring lines should take into account industry and manufacturer guidance and the potential effects of synthetic tails on the stored energy of mooring lines under tension. The use of tails can change the characteristics of a mooring line and its behaviour in the event of failure. High stiffness mooring lines may exert significant dynamic force and have significant snap-back zones when used with synthetic tails that have a low stiffness.

6 Updating of ship documents and record-keeping

6.1 Records of inspection and maintenance of mooring equipment and inspection and replacement of mooring lines should be retained on board. Such records should be kept for a period determined by the Company, but in any event the records should be kept until completion of the next annual survey.

6.2 Consideration should be given to control and certification of mooring lines, wires, tails and associated attachments. Manufacturers' test certificates for mooring lines, joining shackles and synthetic tails should be kept on board and properly linked back to the equipment.

6.3 The items to be recorded during inspection and maintenance should be determined, taking into account the recommendations of the manufacturers of the mooring lines.

6.4 Any change of mooring line configuration requires updating of the towing and mooring arrangements plan.

7 References

- (1) Oil Companies International Marine Forum (OCIMF), *Mooring Equipment Guidelines, 4th Edition 2018*, ISBN: 978-1-85609-771-0.
- (2) Ian. C. Clark BSc, MSc, Master Mariner, MNI, *The Nautical Institute, Mooring and Anchoring Ships Vol.1, Principle and Practice*, ISBN: 9781906915934, 2009.
- (3) Walter Vervloesem AMNI, *The Nautical Institute, Mooring and Anchoring Ships Vol.2, Inspection and Maintenance*, ISBN: 9781870077941, 2009.